



OPTITECH™

LED B22 Lamp

HEATHER SERIES

complete, retrofit-able & energy efficient

OptiTech LED B22 Lamp is a trouble-free, retrofit-able & energy efficient alternative for replacement for tradition halogen lamps.



FEATURES

5 Years Warranty

Accepted for use in energy savings projects under ESS & VEET programs

Up to 80% more efficient than equivalent halogen lamp

Uses Sharp LED (LM-80-08 Certified) chips

Available in 5W and 9.5W models

Compatible with most leading and trailing edge dimmer circuits

“soft tone” lens with unique 220° beam angle

Australian & New Zealand Standards certification & approval

Fits most fixed and adjustable fittings designed for MR16 lamps

BENEFITS

Longer operating life and significantly less maintenance

Eligible for energy savings scheme certificates in NSW and Vic.

Reduced energy and maintenance costs

Reliable state-of-the-art technology

Delivers even volumetric light without excessive glare

Safe and compliant for use in Australia & New Zealand

Easy to install and no need for rewiring

A colour temperature for most lighting applications

* When compared with equivalent halogen lamp.

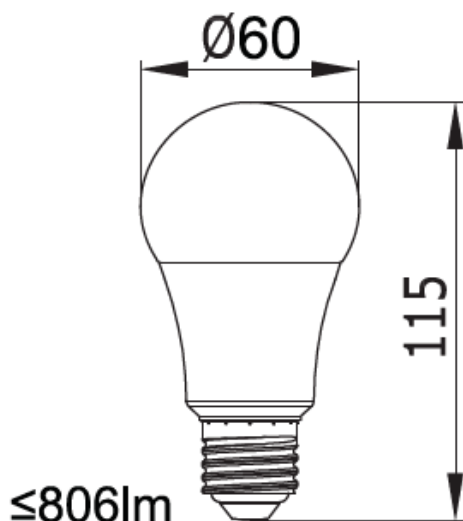
Lighting solutions that don't cost the earth

OptiTech LED B22 Lamp

HEATHER SERIES

SPECIFICATIONS

Model	OPT-YKBB22-5W	OPT-YKBB22-9.5W
Rated Power	5W	9.5W
Power Factor	> 0.95	> 0.95
Rated Luminous Flux at 5600°K	350 lm	800 lm
Colour Temperature	3000°K	3000°K
Colour Rendering Index (CRI)	> Ra80	> Ra80
Luminous Efficacy	70 lm/W	84 lm/W
Beam Angle	220°	220°
Operating Temperature Range	-40°C to 50°C	-40°C to 50°C
Operating Humidity	< 95%	< 95%
Ingress Protection Rating	IP20	IP20
Fits Luminaire/Base Type	B22	B22
Dimmable	No	No
Rated Operating Life	30,000 hrs	30,000 hrs
Warranty	5 years	5 years



*Special order, currently non-stocked item

Product information: The descriptors and illustrations in this publication apply to the specific products and models described as at the date of issue. Under our policy of continuous product development, product specifications may change without notice. Prospective purchasers should therefore check with their supplier to ensure this publication correctly describes the products that are being offered for sale. All information supplied is to be used for general reference purposes only and is on the understanding that OptiTech International Pty Ltd will not be liable for any loss, liability or damage of whatever kind arising as a result of reliance on such information. Colours of products illustrated are as close as printing limitations allow. OptiTech will at all times comply with its obligations pursuant to law including Trade Practices (Australian Consumer Law) Act and Regulations.

© 2014 OptiTech International Pty Ltd ABN 13155134642. OLIG_Feb14. Printed on Monza Gloss Recycled Art stock containing 55% recycled material & 45% from sustainable forests.



OPTITECHTM

OptiTech International Pty Ltd
Unit 2, 176 Euston Road,
Alexandria NSW 2015

Phone: 1300 853 365
Email: info@optitech.com.au
www.optitech.com.au

Lighting solutions that don't cost the earth