



OPTITECH™

LED High Bay

EDEN SERIES

150 Lumens per Watt

OptiTech LED HighBay Lights are a cutting edge, cost effective, energy efficient alternative for traditional high bay lighting.



FEATURES

5 Years Warranty

Accepted for use in energy savings projects under ESS & VEET programs

Up to 80% more efficient than equivalent mercury or metal halide luminaires

Available in: 75W, 95W, 110W & 135W

Optional Motion & Daylight Sensor

3030 Luminous Device LED Chip

Meanwell Driver

150lm per Watt

Light Weight. 3.78 Kg

Australian & New Zealand Standards certification & approval

BENEFITS

Longer operating life and significantly reduced maintenance costs

Eligible for energy savings scheme certificates in NSW and Vic.

Reduced energy and maintenance costs

Reliable technology

Safe and compliant for use in Australia & New Zealand



Lighting solutions that don't cost the earth

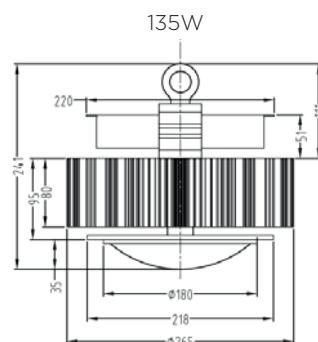
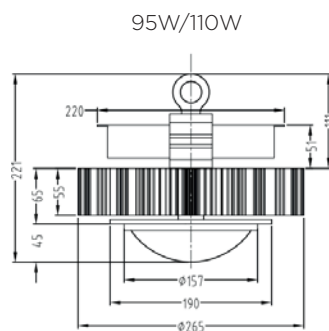
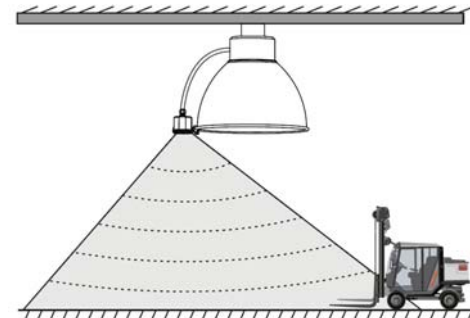
OptiTech LED High Bay

SPECIFICATIONS

Model	OPT-YKHB-75W	OPT-YKHB-95W	OPT-YKHB-110W	OPT-YKHB-135W
Rated Power	75W	95W	110W	135W
Input Power Supply	240V/50Hz			
Power Factor	0.90			
Rated Luminous Flux at 5500°K	11,250 lm	14,250lm	16,500lm	20,250 lm
Colour Temperature	5,000°K			
Colour Rendering Index (CRI)	Ra80+			
Luminous Efficacy	150 lm/W	150 lm/W	150 lm/W	150 lm/W
Operating Temperature Range	-30°C to 50°C			
Operating Humidity	< 95%			
Ingress Protection Rating	IP65			
Dimmable	Yes (0-10v) Sensor Option Available			
Power Cord & Plug	Yes			
LED Chip	3030 Luminous Device LED Chip			
LED Driver	Meanwell			
Rated Operating Life	50,000 hrs			
Warranty	5 years			

OPTIONAL

OPT-YKHB-MS IP 65 Motion & Daylight Sensor
(see brochure)



Product information: The descriptors and illustrations in this publication apply to the specific products and models described as at the date of issue. Under our policy of continuous product development, product specifications may change without notice. Prospective purchasers should therefore check with their supplier to ensure this publication correctly describes the products that are being offered for sale. All information supplied is to be used for general reference purposes only and is on the understanding that OptiTech International Pty Ltd will not be liable for any loss, liability or damage of whatever kind arising as a result of reliance on such information. Colours of products illustrated are as close as printing limitations allow. OptiTech will at all times comply with its obligations pursuant to law including Trade Practices (Australian Consumer Law) Act and Regulations.

© 2016 OptiTech International Pty Ltd ABN 13155134642. OLIG. Printed on Monza Gloss Recycled Art stock containing 55% recycled material & 45% from sustainable forests.



OptiTech International Pty Ltd
Unit 2, 176 Euston Road
Alexandria NSW 2015

Phone: 1300 853 365
Email: info@optitech.com.au
www.optitech.com.au

Lighting solutions that don't cost the earth